

RAG

**Air/Gas ratio
regulators**

RAG

Gas/Air ratio regulators for gas

Contents

Description	2
Features	2
Functioning and application	3
Technical specifications	4
Gas flow chart (pressure drop)	6
Selection.....	7
Ordering information	8
Special versions and optionals	8
Design, installation and servicing	8
Standards and approvals	9

Description

The RAG type regulator has the scope of maintaining a constant air-gas ratio upstream of gas-burners on installation without preheated air. It is equipped with a by-pass adjustable on site and can be used as zero-pressure regulator.

Features

The regulators are made of aluminum alloy die-cast, with a range for inlet/outlet connections from 1/2" up to 2".

Gas inlet pressure up to 500 mbar, air control pressure up to 120 mbar.

They are equipped with an adjustable spring and a counterspring, so that gas outlet pressure is equal to air control pressure, with a ratio 1:1 and an adjustable offset of +/-3mbar. The offset is useful to set gas flow at low fire.

RAG regulators have been designed for a flow regulation range equal to 10:1 and to generate low pressure drop.

Disc is equipped with a gasket, so RAG is able to regulate precisely very low flow.

Every model is equipped with a bypass adjustable on-site. Bypass is useful in low fire state when a very low flow is necessary or air control pressure is lower 0.5mbar.

The controls are equipped with inlet pressure compensation diaphragm for a precise regulation.

A metallic mesh filter protects the regulator seat from dirt contamination (filtration grade <1mm).

The impulse line is integrated inside the regulator. Special versions with external impulse line are available on request.

Pipe connections meet group 2.

Suitable for use with non-aggressive gases included in the 1, 2 and 3 families (EN 437).

Special versions for aggressive gases (e.g. biogas).

Provided with pressure test points in the gas inlet, gas outlet and air control chamber to connect manometers, pressure switches or other equipments.

RAG can be used as zero-pressure regulator. In this case it is necessary to connect the vent port to a discharge pipe or to install the conversion kit

All components are designed to withstand any mechanical, chemical and thermal condition occurring during typical service. Effective impregnation and surface treatments have been used to improve mechanical sturdiness, sealing and resistance to corrosion of the components.

Regulators are 100% tested and fully warranted.

Functioning and application

A ratio regulator is a device able to maintain a gas outlet pressure equal to the air control pressure. Outlet gas and control air pressure act on the two sides of the same diaphragm, hence the disc moves until outlet pressure is the same as air pressure. If outlet pressure is needed to be a bit lower or higher than air, the spring must be adjusted. If a gas flow is required to be present when air control pressure is near zero, the bypass must be set. Variation of inlet pressure does not affect outlet pressure because the disc is compensated with a specific diaphragm.

In case of using the control as zero pressure regulator, it is necessary to connect vent port to a discharge line or screw the optional kit.

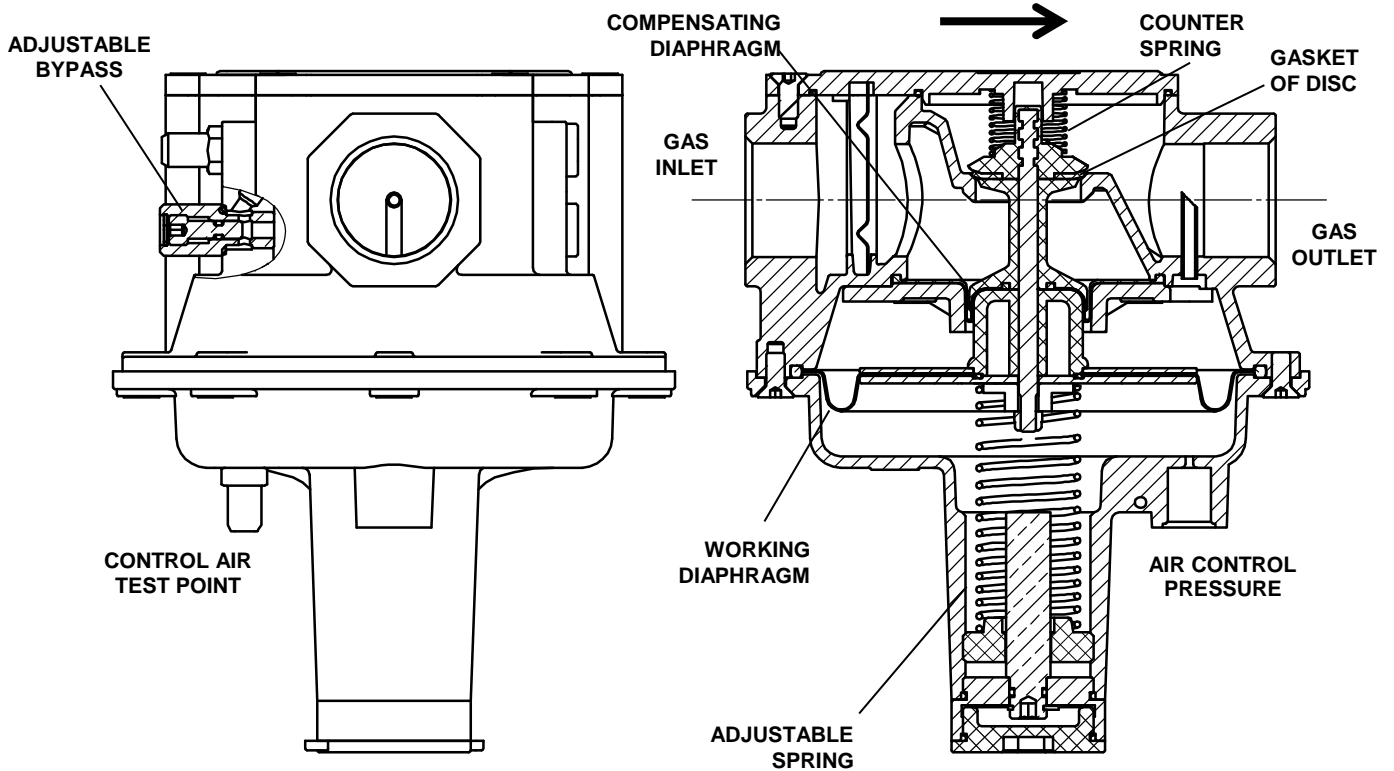


Fig 1

This device is usually installed in gas firing systems. Figure 2 and 3 shows examples of installation in combination with other Elektrogas devices.

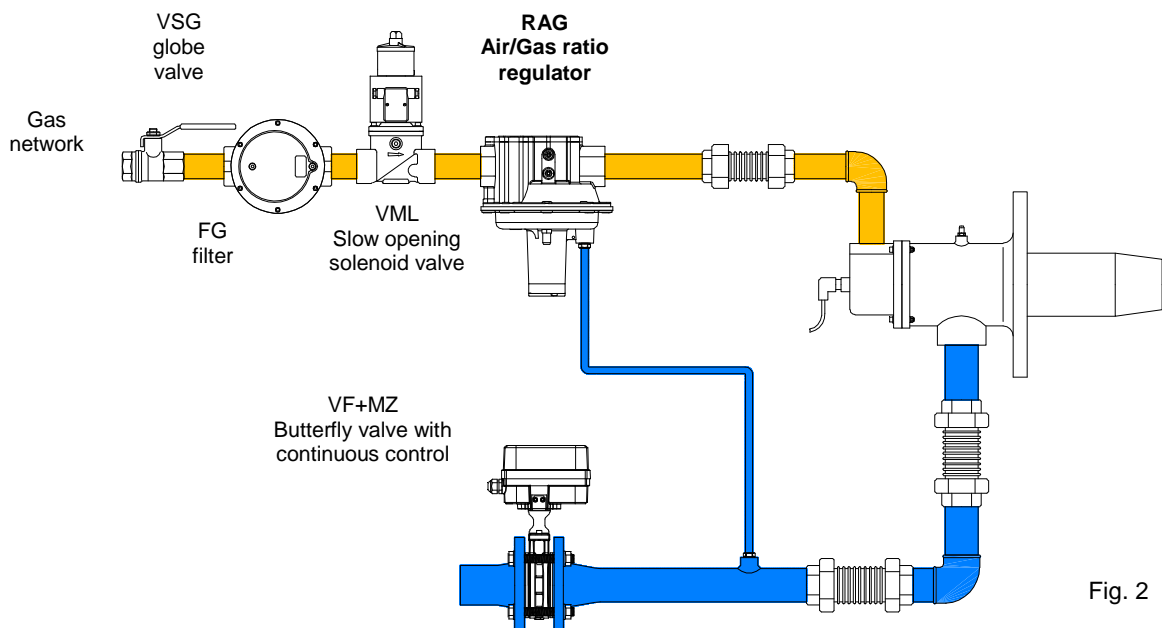


Fig. 2

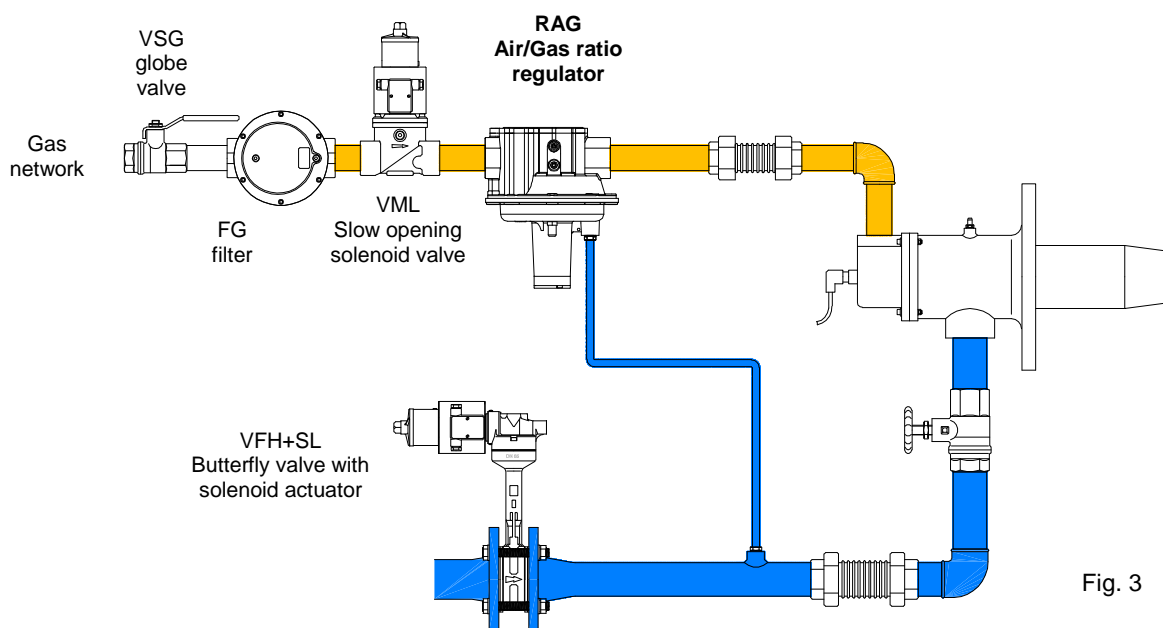


Fig. 3

Tab. 1

Technical specifications

Connections	Gas threaded f/f ISO 7-1 from Rp1/2 to Rp2
Ambient temperature	-15°C ... +60°C
Gas Inlet pressure P1	Max 500 mbar (50 kPa) or P out + 2.5 mbar for gas Differential pressure between inlet and outlet pressure less than 100 mbar is advisable.
Air control pressure P3	0.5-120 mbar Gas inlet pressure has to be always higher than air control pressure
Gas Outlet pressure P2	Air control pressure +/- 3 mbar (adjustable offset)
Accuracy	±1mbar or ±15% of air control pressure (plus offset)
Max testing pressure	Max 750 mbar at inlet chamber – max 200 mbar at air control chamber
Flow capacity	See charts. Bypass flow can be set from 0 to max flow (fig.7)
Filtration grade	with metallic filter <1mm
Installation	Horizontal (with adjustable spring downwards) or vertical pipeline.
Gas type	Natural gas, town gas, LPG (gaseous) of families 1,2,3 (EN437). On request special version for biologically produced methane without non-ferrous material and special seals.
Materials in contact with gas	Aluminum alloy, Brass, Stainless steel, plated steel Polyamide, Anaerobic adhesive Nitrile rubber (NBR), Fluoroelastomer (FPM), Polytetrafluoroethylene (PTFE)

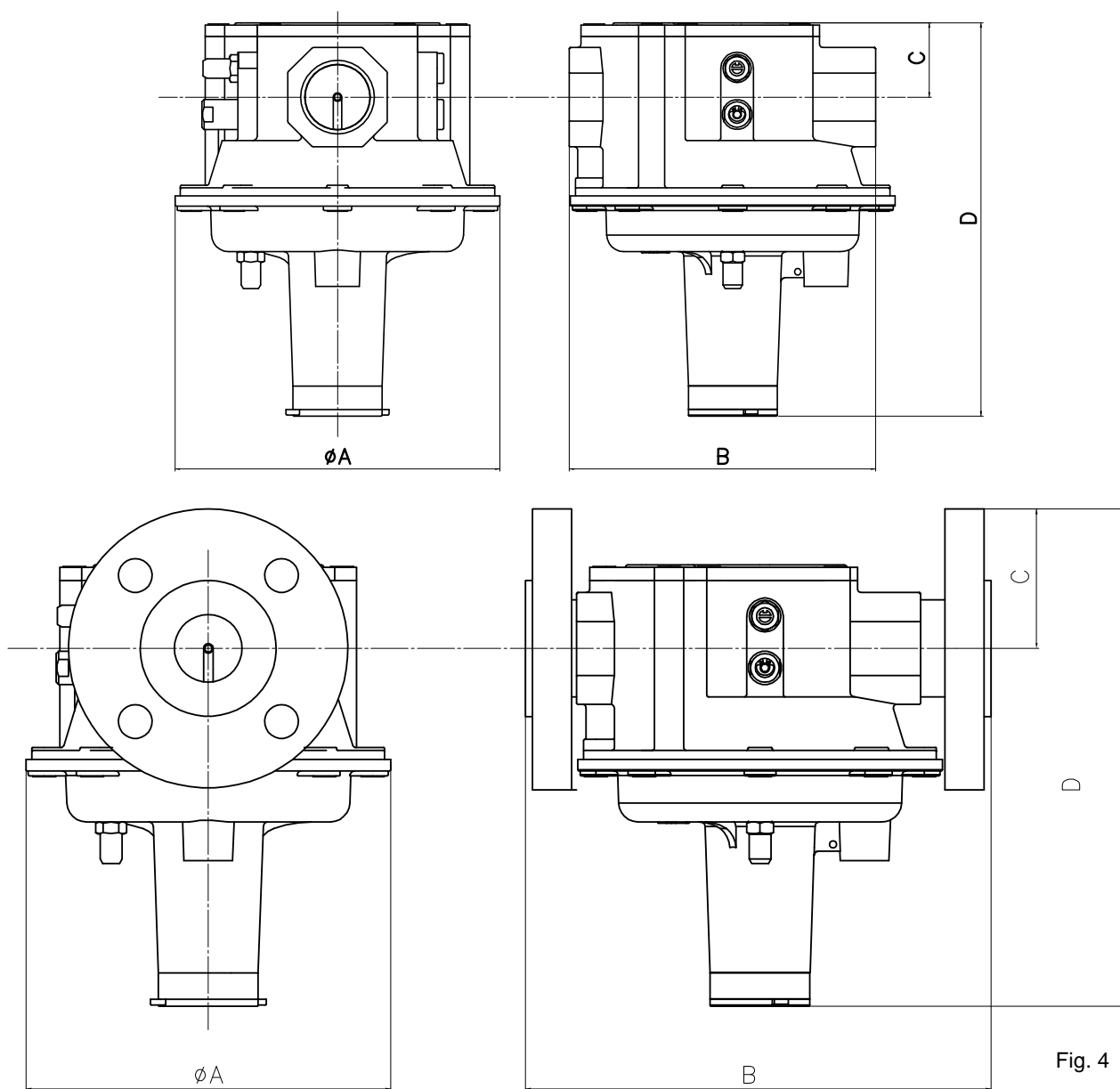


Fig. 4

Model	Connection	Overall dimensions [mm]						Weight (Kg)
		A	B	C	D			
RAG1(*)	Rp 1/2	118	105	22	172	-	-	1,10
RAG2	Rp 3/4	150	141.5	34	182	-	-	1,50
RAG3	Rp 1	150	141.5	34	182	-	-	1,50
RAG4(*)	Rp 1½	150	224	60	300	-	-	2,55
RAG6(*)	Rp2	150	224	60	300	-	-	2,45
RAG4F ¹ (*)	DN40	250	300	75	315	110	4x18	4,40
RAG6F ¹ (*)	DN50	250	300	82.5	322.5	125	4x18	4,45

Tab 2

(¹) with flanged connection kit mounted
 (*) Not available, project in progress

Gas flow chart with disc blocked in open position

(Pressure drop)

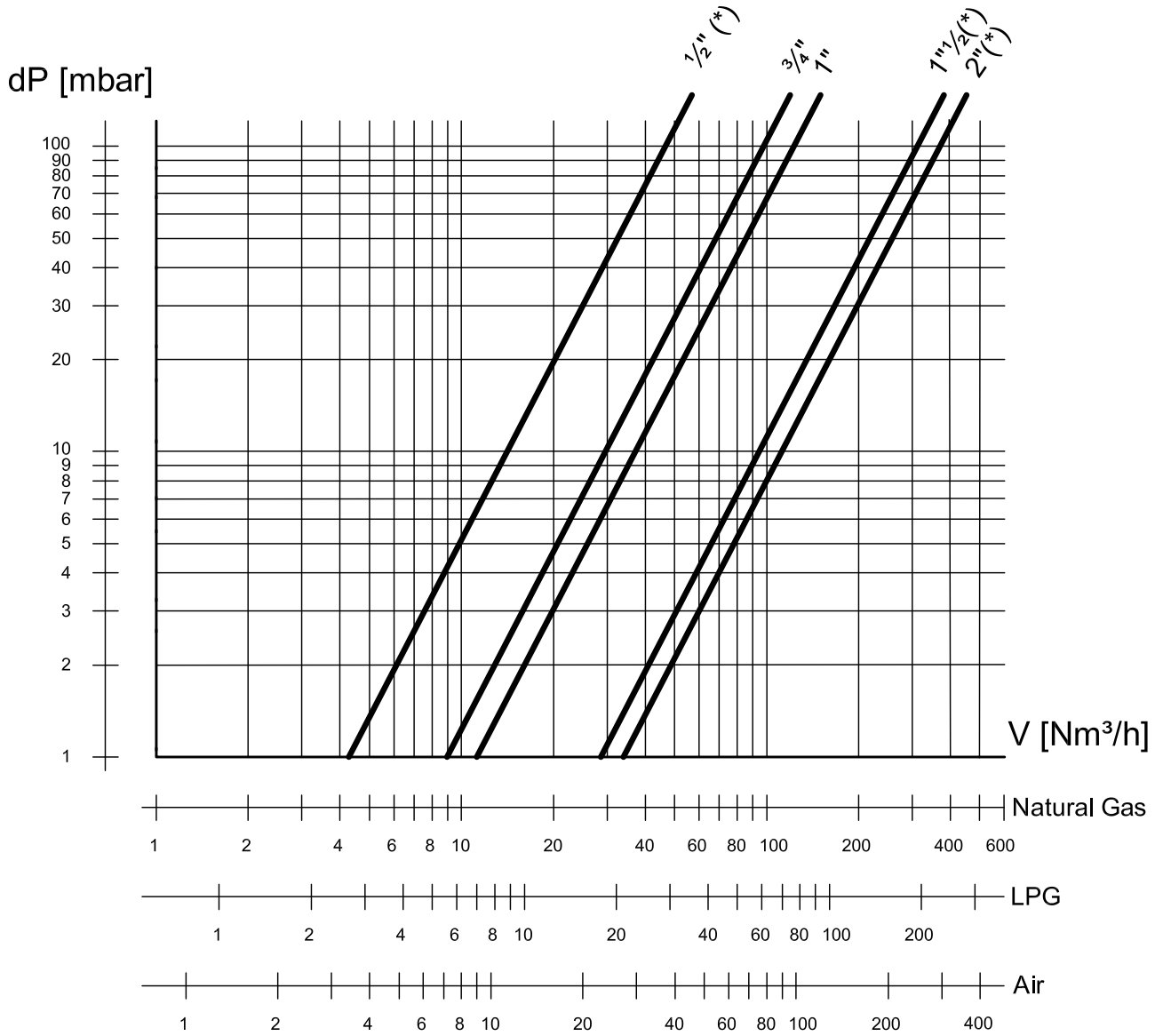


Fig. 5

Conversion of flow from air to other gases (15°C, 1013 mbar, dry)

Tab. 3

$$V_{GAS} = k \cdot V_{AIR}$$

Gas type	Specific gravity ρ (typical value) [Kg/m³]	$k = \sqrt{\frac{1.25}{\rho_{GAS}}}$
Natural gas	0,80	1,25
LPG	2,08	0,77
Air	1,25	1,00

Maximum Flow chart in operation (inlet 200mbar)

P3 [mbar]

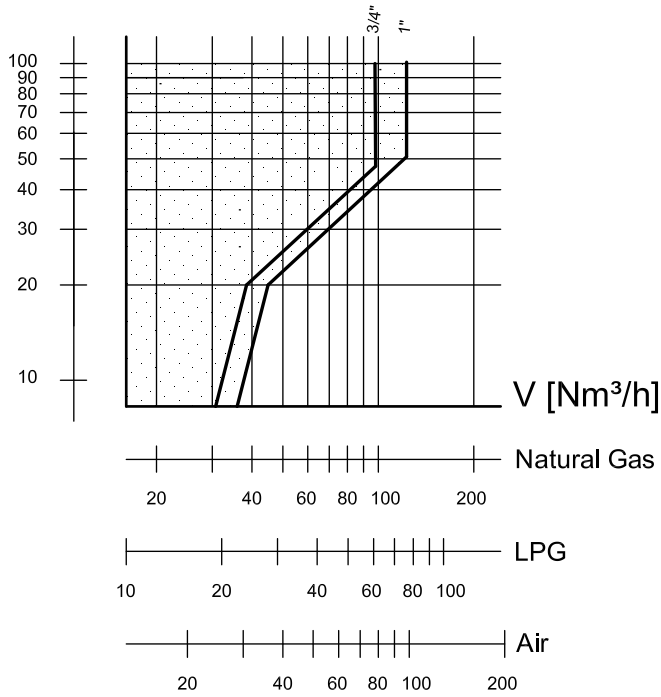


Fig. 6

Bypass Flow

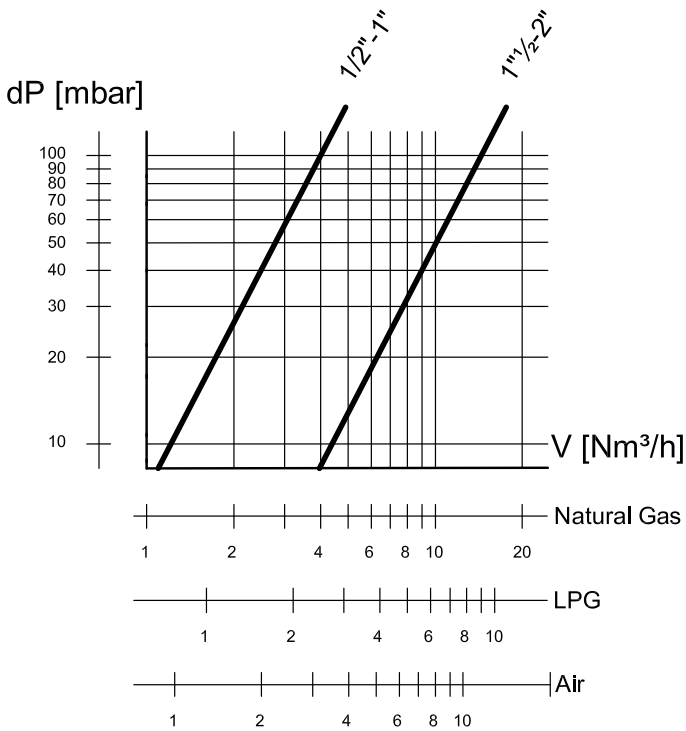


Fig. 7

Selection

To select a regulator, it is necessary to know:

- gaseous media (air, natural gas, LPG,...)
- inlet gas pressure
- air control pressure (high fire)
- gas flow (high fire)

The regulator will work properly if:

- available pressure drop is higher than requested pressure drop
- gas flow is lower than maximum gas flow considering air control pressure.

Requested pressure drop can be seen from fig. 5, while maximum gas flow from fig. 6

Example:

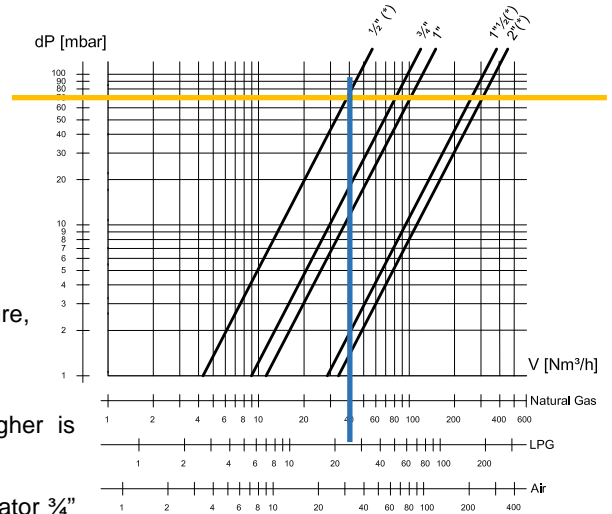
Select a ratio regulator :

- for Natural Gas (CH₄)
- gas inlet pressure 80mbar
- max air pressure 20mbar
- max gas flow 40 Nm³/h
- for a modulating burner 4:1

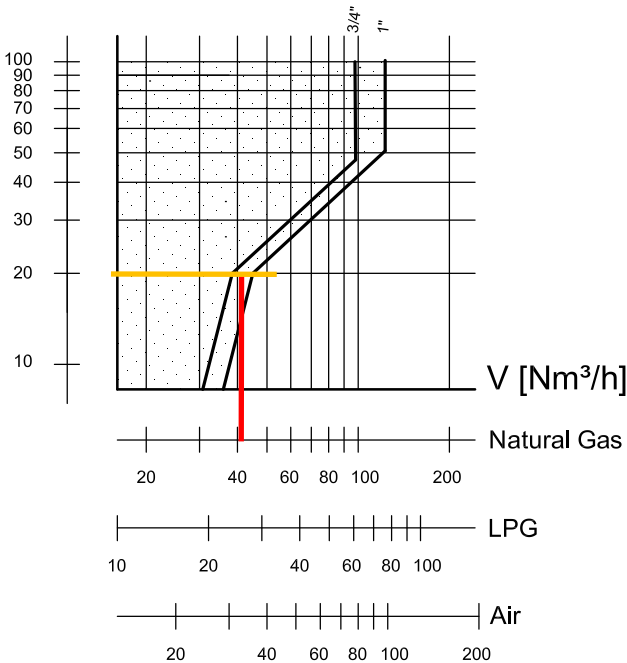
Considering inlet pressure and max air pressure, the available pressure drop is:
80 – 20 = 60mbar

In fig. 5 we see that a regulator 3/4" or higher is needed.

Now we consider the maximum flow of a regulator 3/4" in operation (Fig.6).



P3 [mbar]



Considering this graph, we see that the working point is out of the area of correct working of regulator 3/4", while it is inside the limit of a regulator 1".

RAG3 1" will work properly (tolerances prescribed by EN88).

We can also check:

-the margin of pressure drop (at least 50%):

RAG 1" - 40 Nm³/h of Natural Gas
Requested pressure drop - fig. 4: 12mbar
Available pressure drop: 60mbar
60 : 12 = 500% > 150% → OK

-in case of modulating burner, the minimum air pressure (higher than 0.5mbar, or we have to set bypass)

Modulating burner with ratio 1:4 and max air pressure 20mbar
Minimum air pressure is 20 : (4²) = 1.25 > 0.5mbar → OK

-the gas speed at outlet to avoid noise and excessive turbulence (speed lower than 30m/sec are advisable):
Pipe 1", internal diameter 28mm, speed 16 Nm/s → OK

Ordering information

	RAG	3	.	-
Regulator type RAG = regulator				
Connections size 1 = Rp1/2 2 = Rp3/4 3 = Rp1 4 = Rp1½ 6 = Rp2 4F= DN40 6F= DN50				
Special version - standard J = version for bio and coke gas				

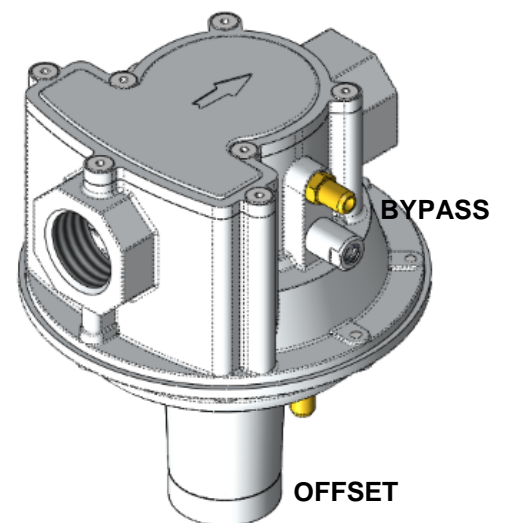
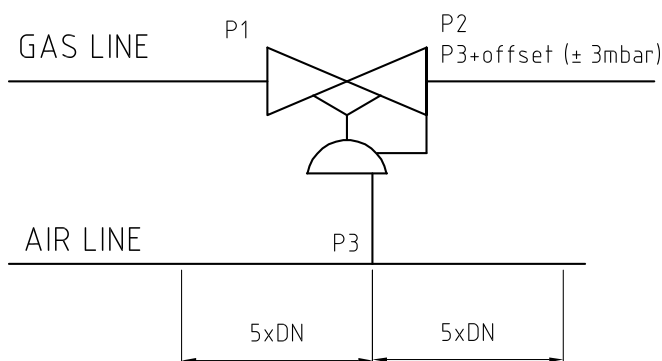
Special versions and optionals

The controls can be supplied in special versions for aggressive gases such as biogas and COG (version J), they are free of non-ferrous metals and provided with rubber part made of FKM.

Design, installation and servicing

To assure a proper and safe operation, as well as a long service life of the regulator, consider the following recommendations:

- ✓ Ensure that all the features of your system comply with the specifications of the regulator (gas type, operating pressure, flow rate, ambient temperature, etc.).
- ✓ Ensure that installing area is dry



- ✓ Make sure all works are performed by qualified technicians only and in compliance with local and national codes.
- ✓ Manage the device with proper tools.
- ✓ After removing the end caps, make sure no foreign body will enter into the regulator during handling or installation (e.g. swarf or excessive sealing agent).

- ✓ Perform leak and functional tests after mounting.
- ✓ To adjust the offset, remove the protective cap and turn the adjusting screw with an Allen key. After adjustment, remount protective cap.
- ✓ To adjust the bypass, unscrew the internal screw until the requested flow.
- ✓ In case of use as zero pressure regulator, connect vent port to a discharge line or screw the optional kit.
- ✓ The controls need no maintenance.
- ✓ Due to rubber seals aging, to ensure safe operation, we recommend the governor replacement after 10 years from the date of manufacture stamped on the product.
- ✓ This device must be installed in compliance with the rules in force.
- ✓ To prevent product damage and dangerous situations, read carefully the instructions supplied with the product before use.



For more details see the [Installation and Service Instructions](#).

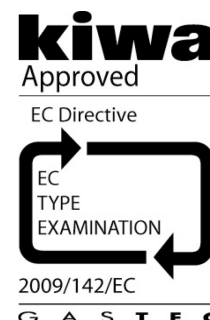
Standards and approvals

The regulators are designed and manufactured according to European Directive on the Gas Appliances Directive 2009/142/EC, on the basis of norm EN 88.

CE-Reg.-No. 0063CQ1022.



Quality Management System
is certified according to
UNI EN ISO 9001.



The information in this document contains general descriptions of technical options available and based on current specifications.

The company reserves the right to make changes in specifications and models as design improvements are introduced, without prior notice.

Elektrogas is a brand name of:

Elettromeccanica Delta S.p.A.
Via Trieste 132
31030 Arcade (TV) – ITALY

tel +39 0422 874068
fax +39 0422 874048
www.delta-elektrogas.com
info@delta-elektrogas.com